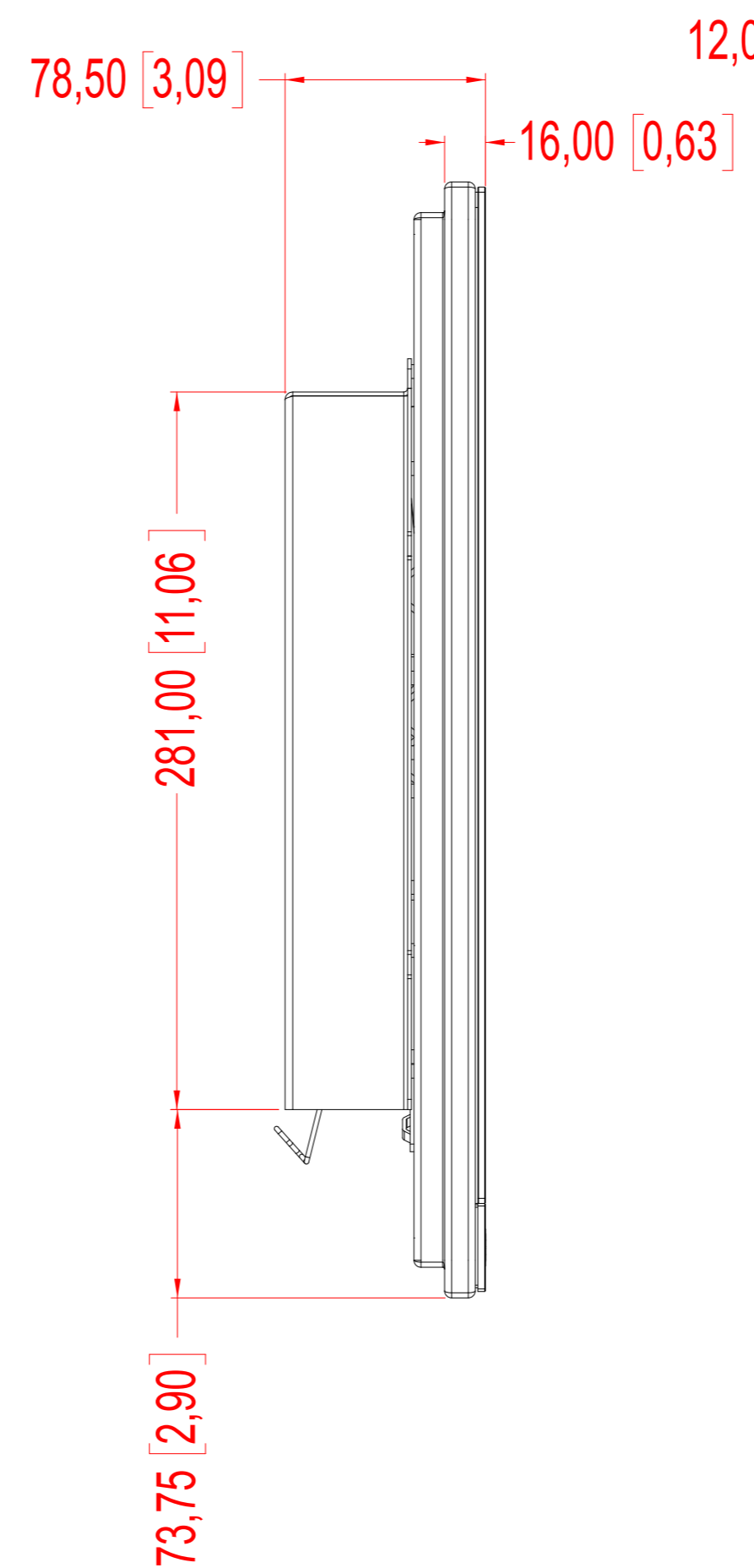


This document is the property of Hatteland Technology AS.
 This document and any authorized reproduction thereof, must not be used in
 any way against the interest of Hatteland Technology AS.
 Any authorized reproduction, in whole or in part, must include this legend.

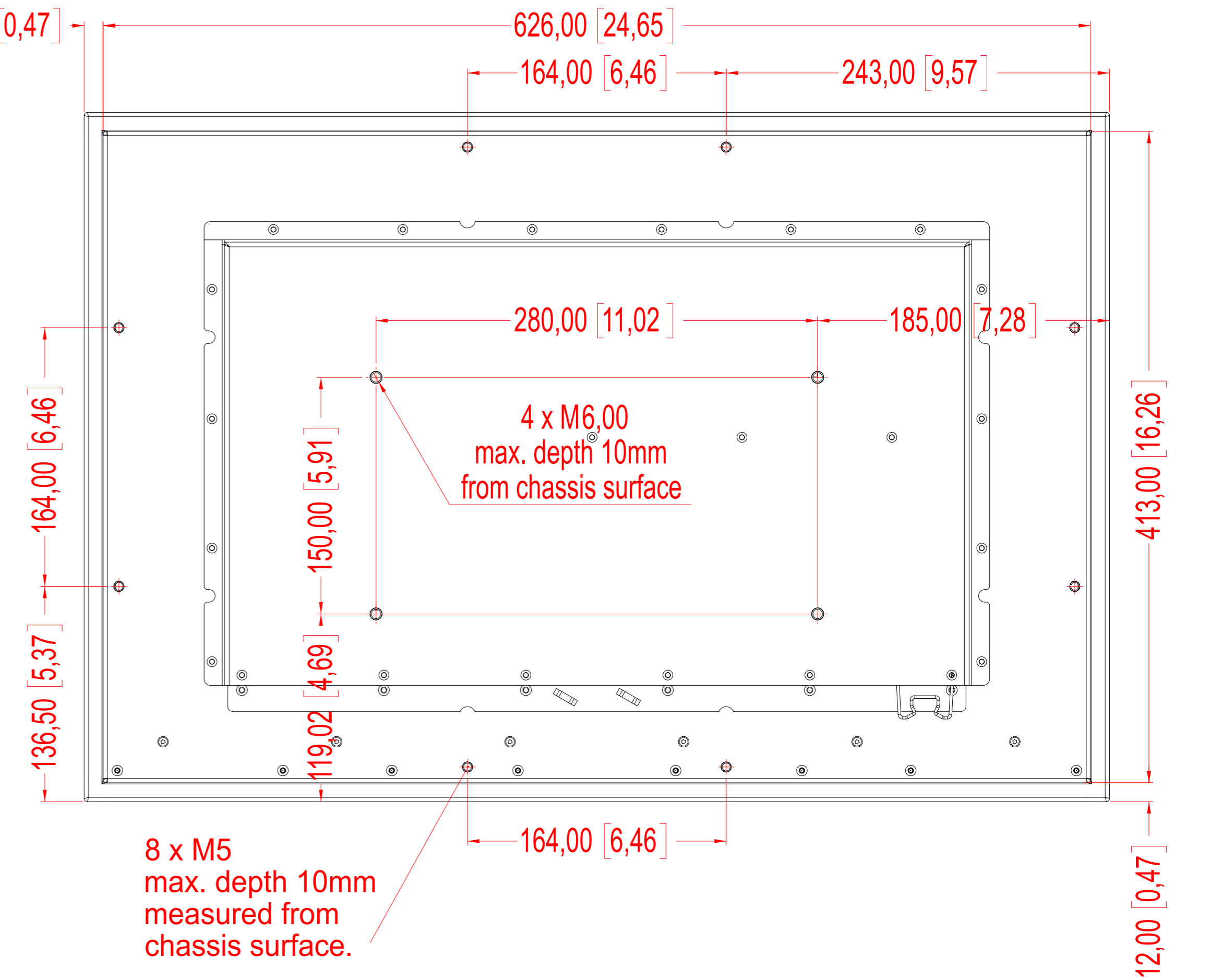
FRONT VIEW



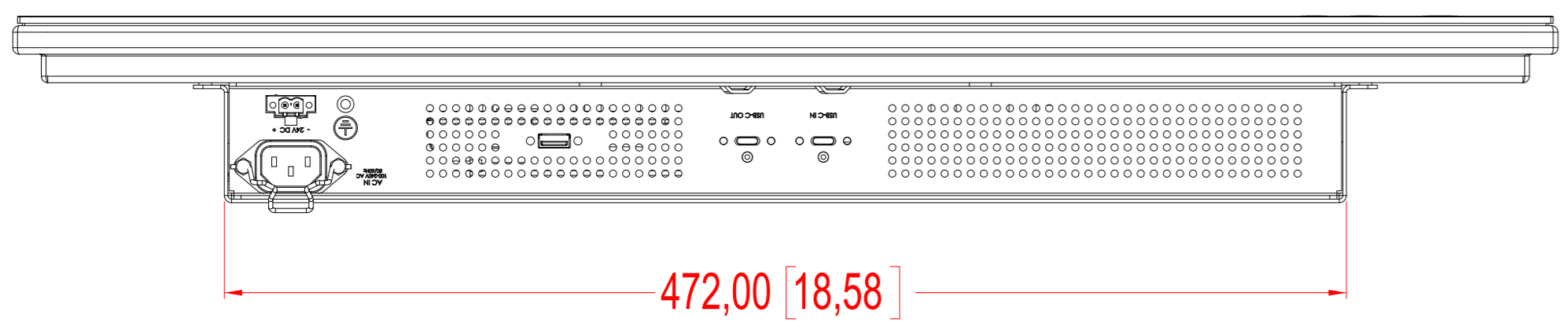
SIDE VIEW



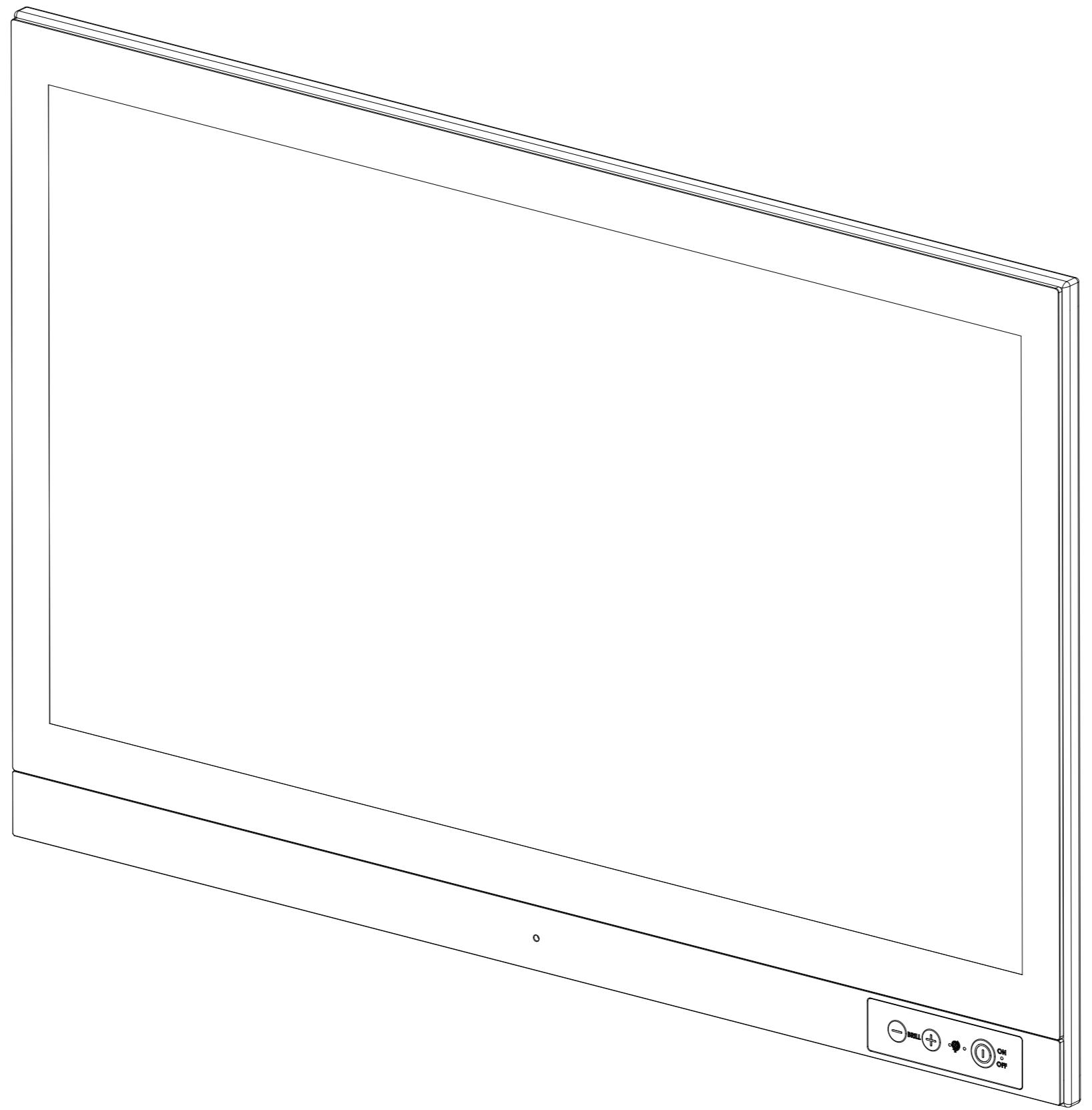
BACK VIEW



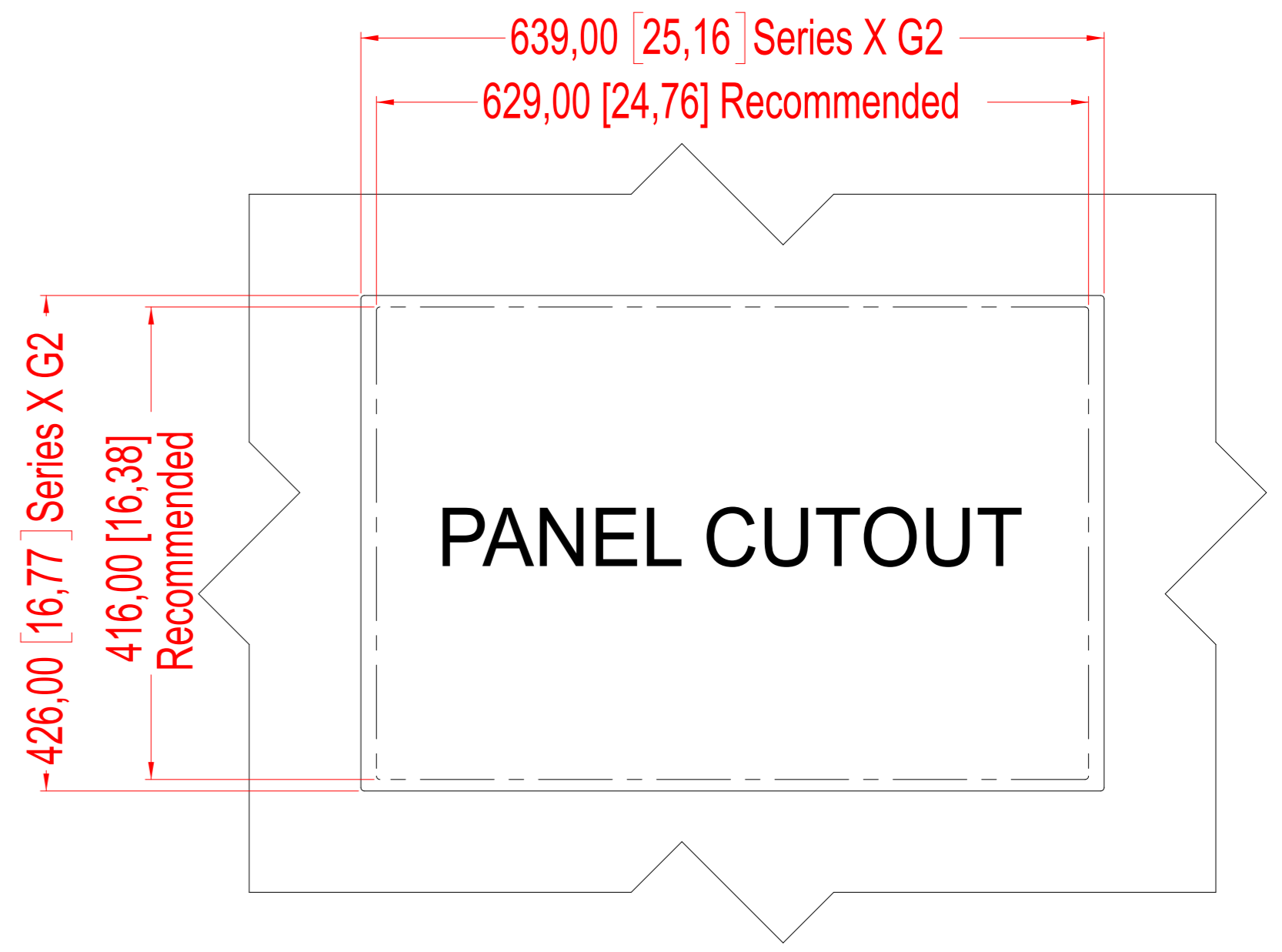
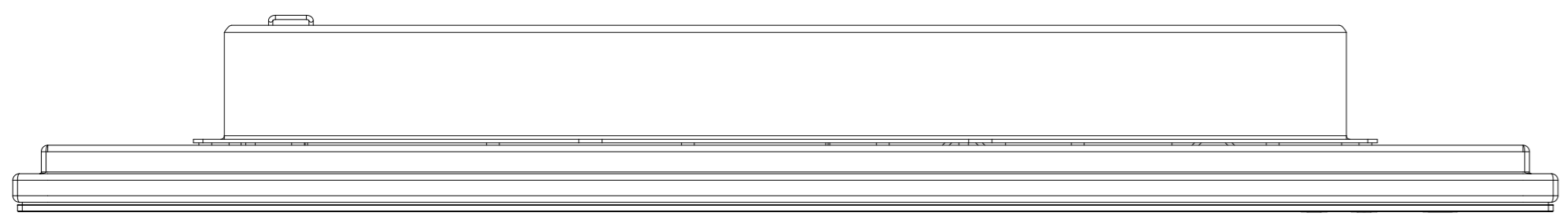
BOTTOM VIEW



ISOMETRIC VIEW



TOP VIEW



Units: mm [inches]

SALES DRAWING HD 27T30 SCM-JA1-EAEA
 shown in this drawing, but measurements generally apply for all HD 27T30 SCM-xxx-xxxx models

| | | | | |
|---|-----------------|-------------|--------------------------|--|
| Creation date / by: | 11.12.20 / 8755 | Projection: | A1 | HATTELAND TECHNOLOGY an EMBRON Company |
| Last rev. date / by: | / | | Scale: 1:2 | Approved by: _____ |
| Hatteland Technology AS Eikeskogvegen 52 N-5570 Akdsdal | | | Tolerance ISO 2768-mK | Revision: 01 |
| | | | Drawing number: | A012763 |